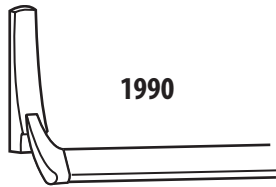
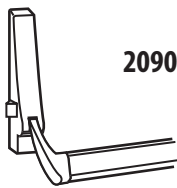


Narrow Stile Vertical Rod & Rim Exit Devices



1990

- Hand: Field reversible, non handed.
- Stocked exit only
- Concealed vertical rod.
- Dogging Feature: Hex dogging standard.
- Size : Field adjustable width, 41" crossbar standard fits 3' 8" x 7' door
- Doors: 1-3/4" thick
- Projections: 4-3/8" extended, 2-1/2" depressed.
- Stile: 1-3/4" minimum.
- Fasteners: All mounting screws are concealed.
- ANSI: Certified ANSI A156.3 Grade 1 standards.



2090

- Hand: Specify Left Hand Reverse (LHR) or Right Hand Reverse (RHR)
- Strikes: SD36 Single door standard
- Latchbolt: 1/2" throw hardened steel.
- Dogging Feature: Hex dogging standard.
- Sizes: Field adjustable width, 41" crossbar standard, fits 3' 8" door width,
- Doors: 1-3/4" thick doors
- Projections: 4-3/8" extended, 2-1/2" depressed.
- Stile: 1-3/4" minimum.
- Fasteners: All mounting screws are concealed.
- ANSI: Certified ANSI A156.3 Grade 1 standards.

| Mfg # | Type | Finish | Hand | EZ # |
|------------|--------------|-----------|------|--------|
| 1990EO P13 | Vertical Rod | Duronodic | | 072930 |
| 2090P13LHR | Rim Exit | Duronodic | LHR | 072934 |
| 2090P13RHR | Rim Exit | Duronodic | RHR | 072935 |
| 2090P28LHR | Rim Exit | Aluminum | LHR | 072932 |
| 2090P28RHR | Rim Exit | Aluminum | RHR | 072933 |



PB5

- Pinion cam for 2090

| Mfg # | EZ # |
|-------|--------|
| PB5 | 026266 |

Grade 1 Door Closers



SC60

- For hinge side, top jamb or parallel arm applications
- Size: Adjustable from 2 to 5
- Cast Aluminum body with adjustable speed, latch speed, & backcheck
- Fits standard Norton 9-1/16" hole spacing.
- 1-3/8" diameter piston
- ANSI A156.4, Grade 1 & UL Listed

| Mfg # | Finish | EZ # |
|-----------|-------------|--------|
| SC60ALUM | Aluminum | 074992 |
| SC60DKBRZ | Dark Bronze | 074993 |

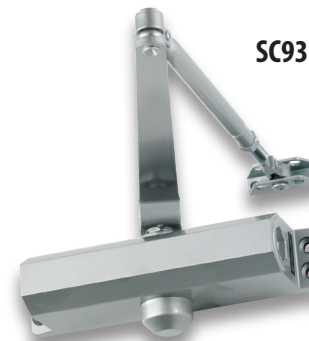


SC71

| Mfg # | EZ # |
|--------------|--------|
| SC71AL RW/PA | 086294 |

- For hinge side, top jamb or parallel arm applications
- Handicap Compliant
- Size: Adjustable from 1 to 6
- 1-1/2" diameter piston
- Cast Aluminum body with adjustable speed, latch speed, & backcheck
- ANSI A156.4, Grade 1 & UL Listed
- Stocked in aluminum finish

Light Duty Interior Door Closers



SC93

- For hinge side or top jamb applications
- Handicap Compliant
- Size 3
- Cast Aluminum body with adjustable speed, latch speed, & backcheck
- No backcheck
- ANSI A156.4, Grade 3 & UL Listed
- Stocked in Aluminum finish.

| Mfg # | EZ # |
|----------|--------|
| SC93 689 | 077408 |